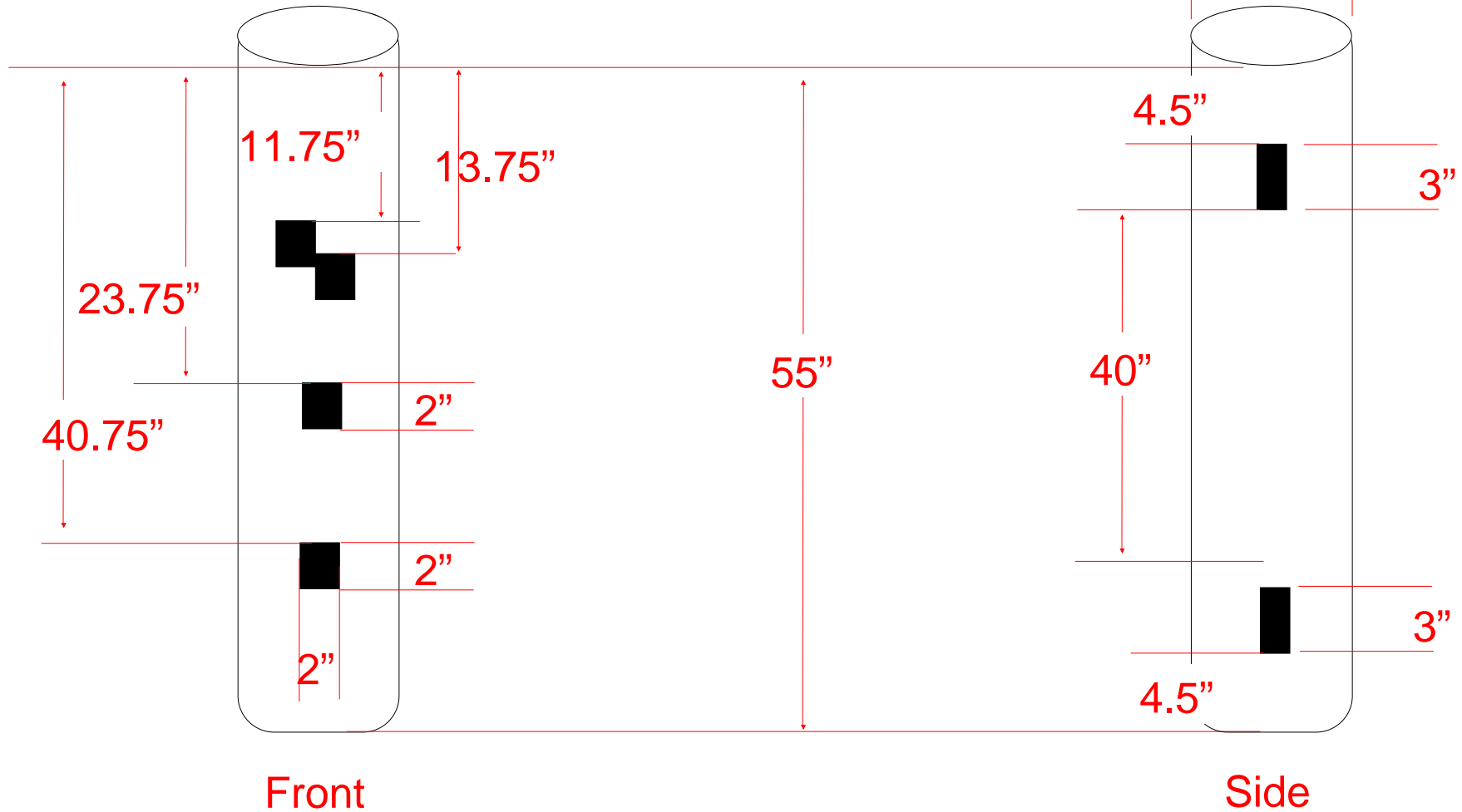


Mook Yon Joong Blueprints Main Body

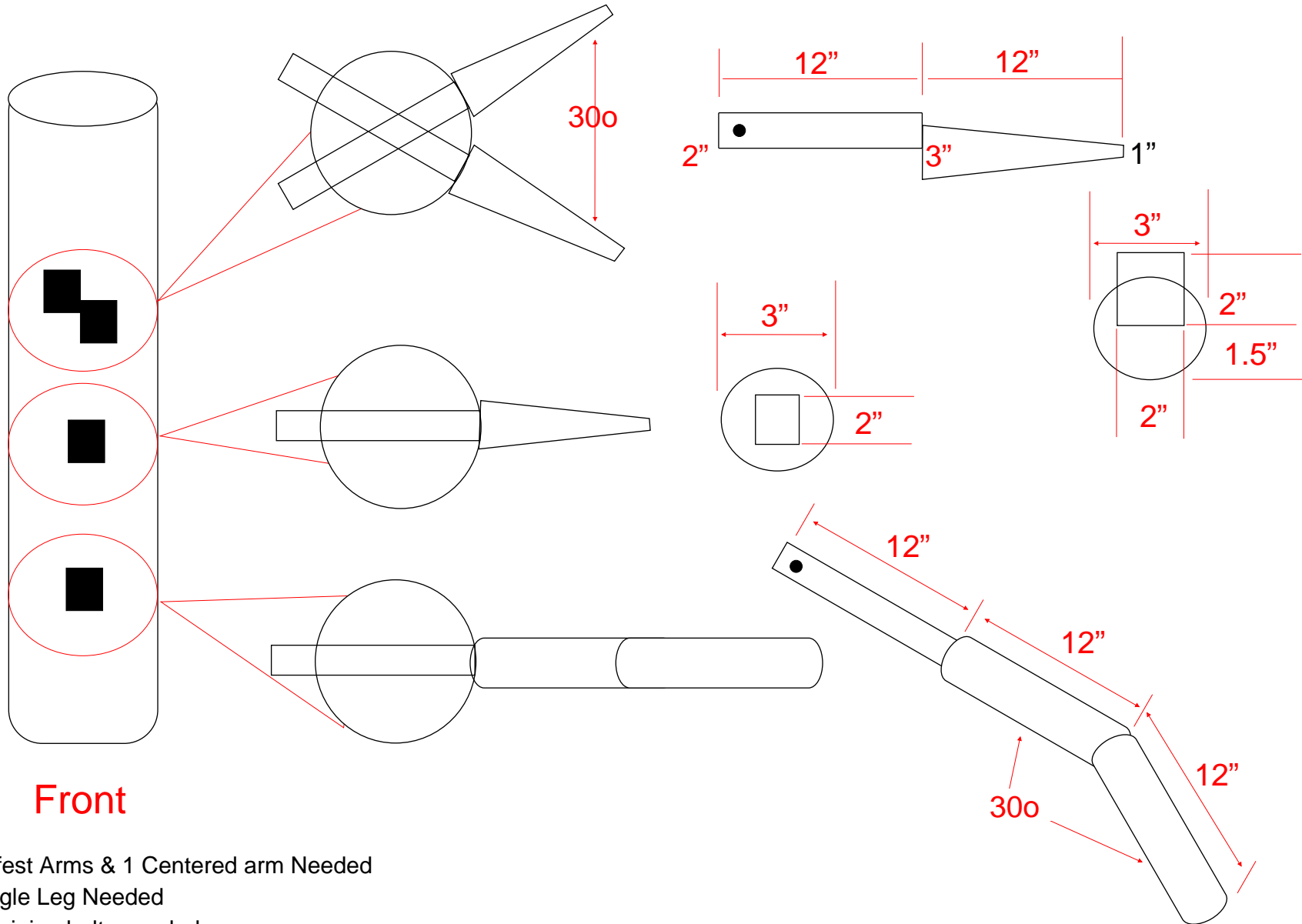
© Evan Pantazi 2008



1- 7" wide by 55" tall pole needed

Mook Yon Joong Blueprints Armature

© Evan Pantazi 2008

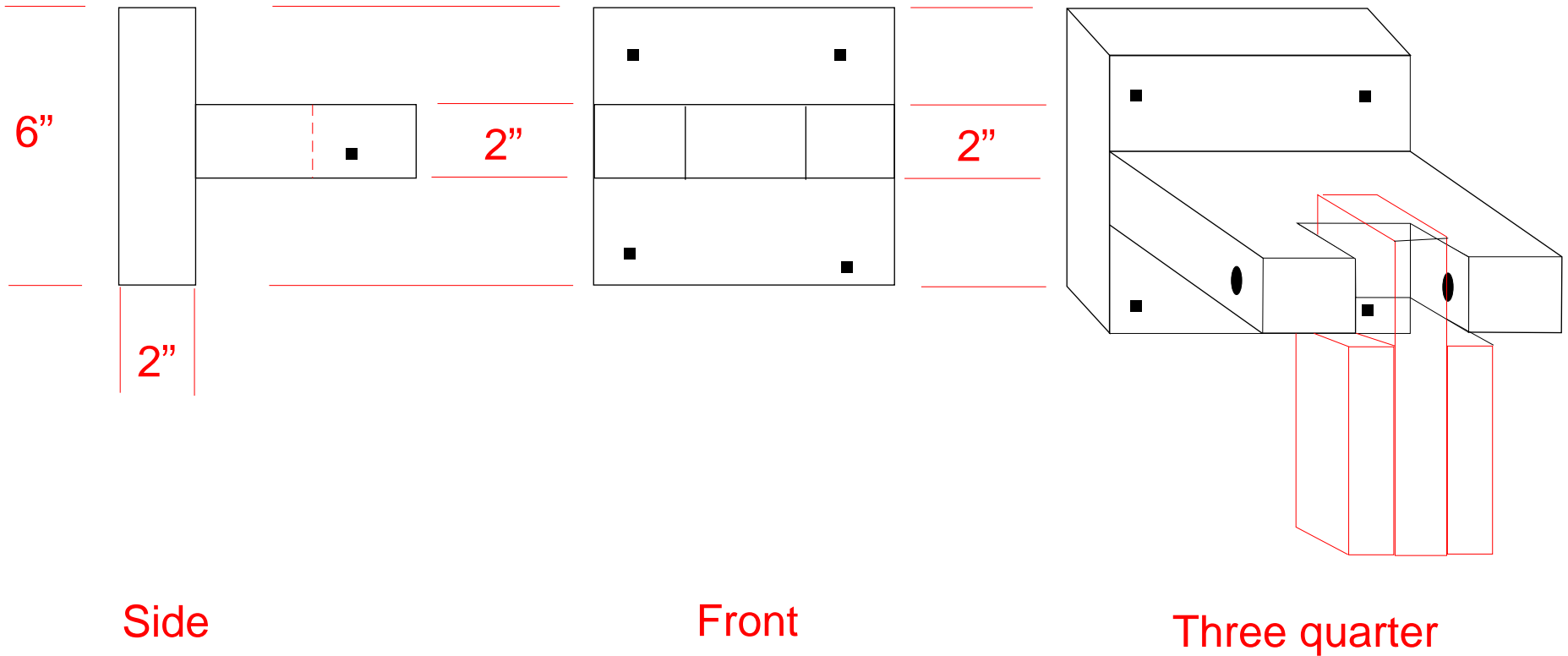


Front

- 2- Offset Arms & 1 Centered arm Needed
- 1- Angle Leg Needed
- 4- retaining bolts needed

Mook Yon Joong Blueprints Support System 1

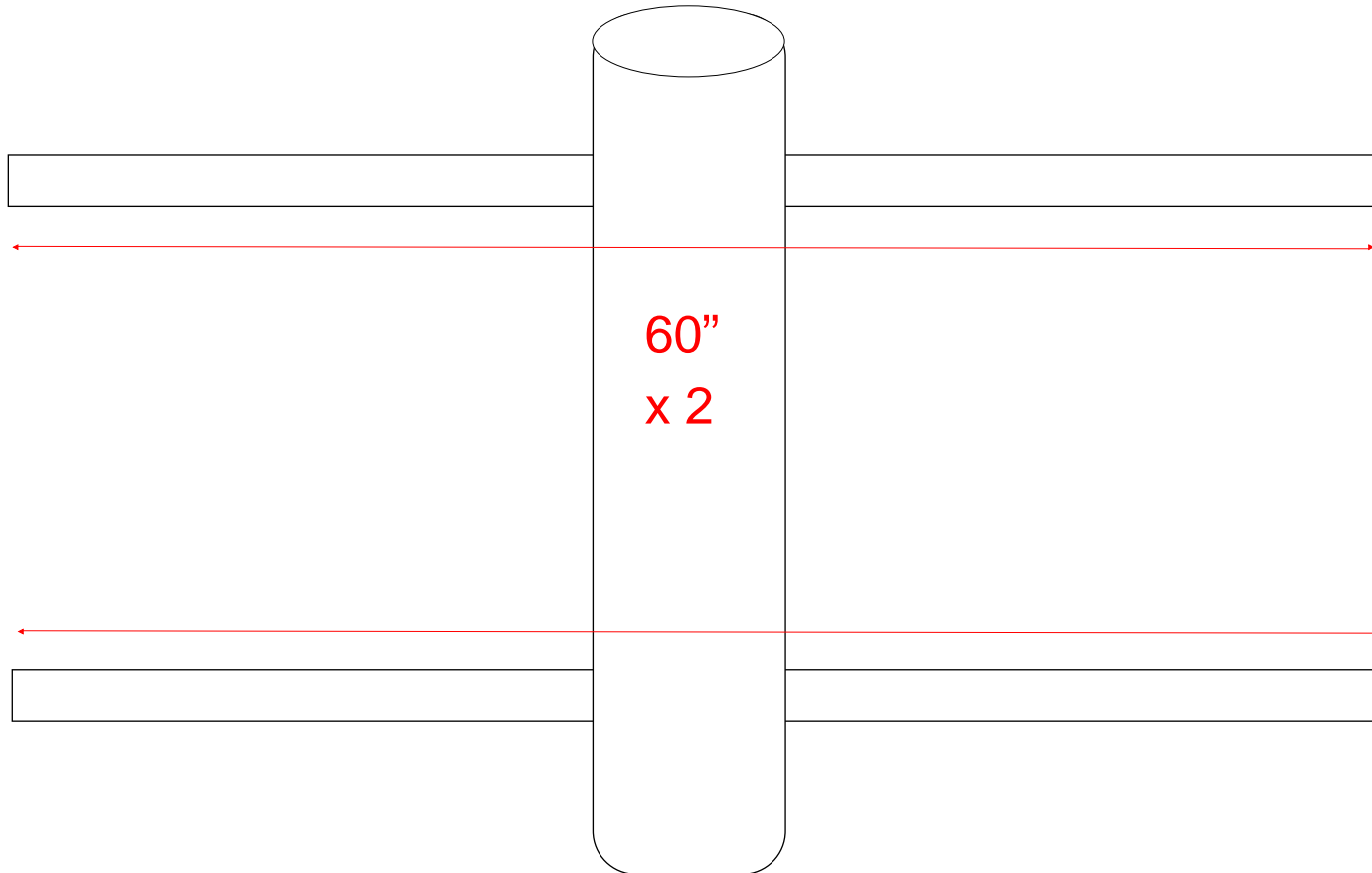
© Evan Pantazi 2008



- 4 wall braces needed
- 16 wall screws needed
- 4 Retaining bolts needed

Mook Yon Joong
Blueprints
Support System 2

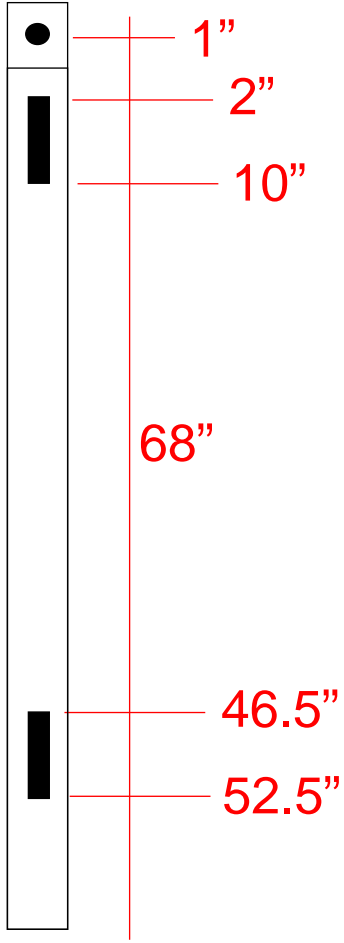
© Evan Pantazi 2008



2- 1"x 3" Horizontal support beams needed

Mook Yon Joong
Blueprints
Support System 3

© Evan Pantazi 2008



Side
4 needed



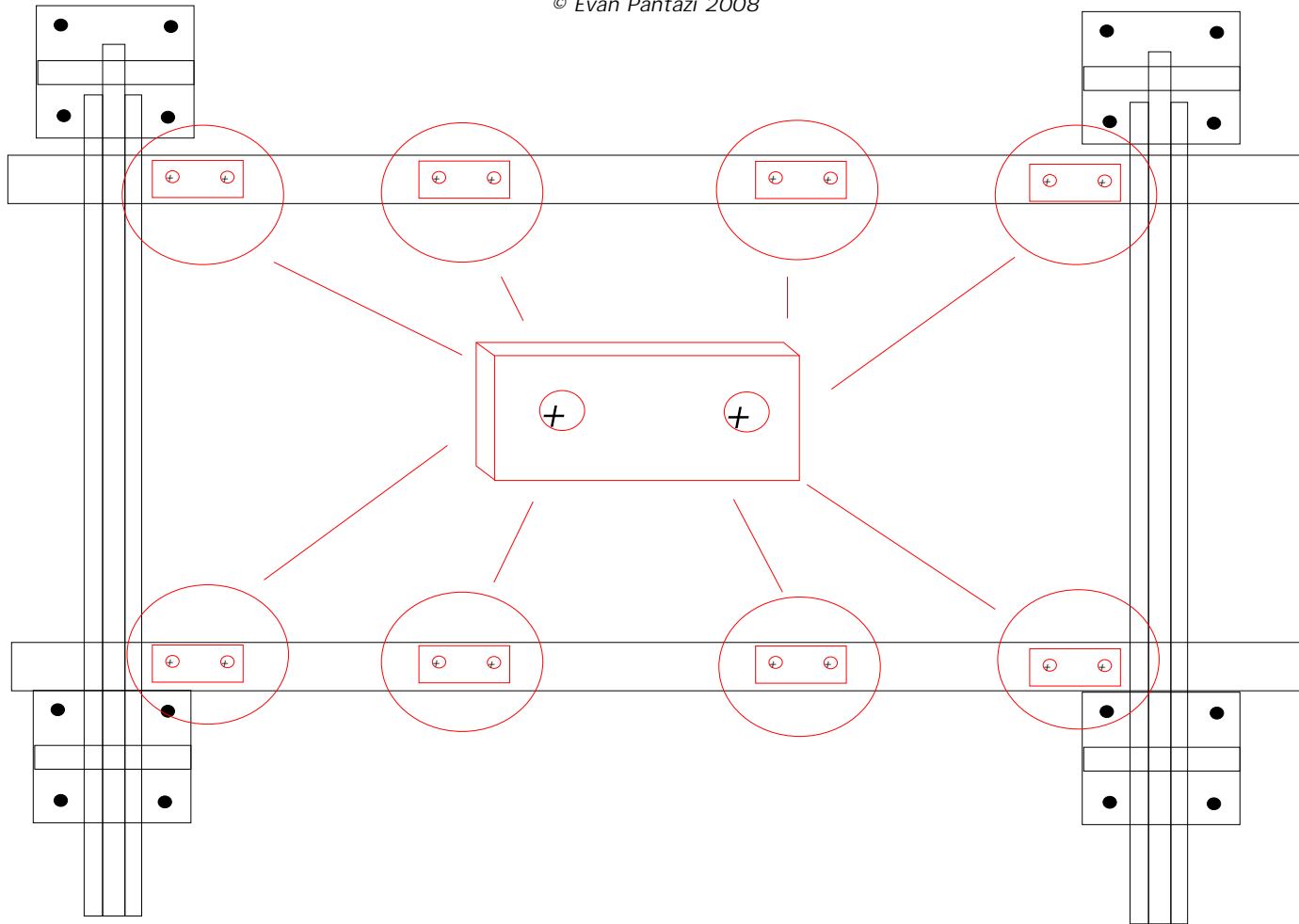
Side
2 needed



6- 1"x3" Vertical support beams needed

Mook Yon Joong Blueprints Support System Front View

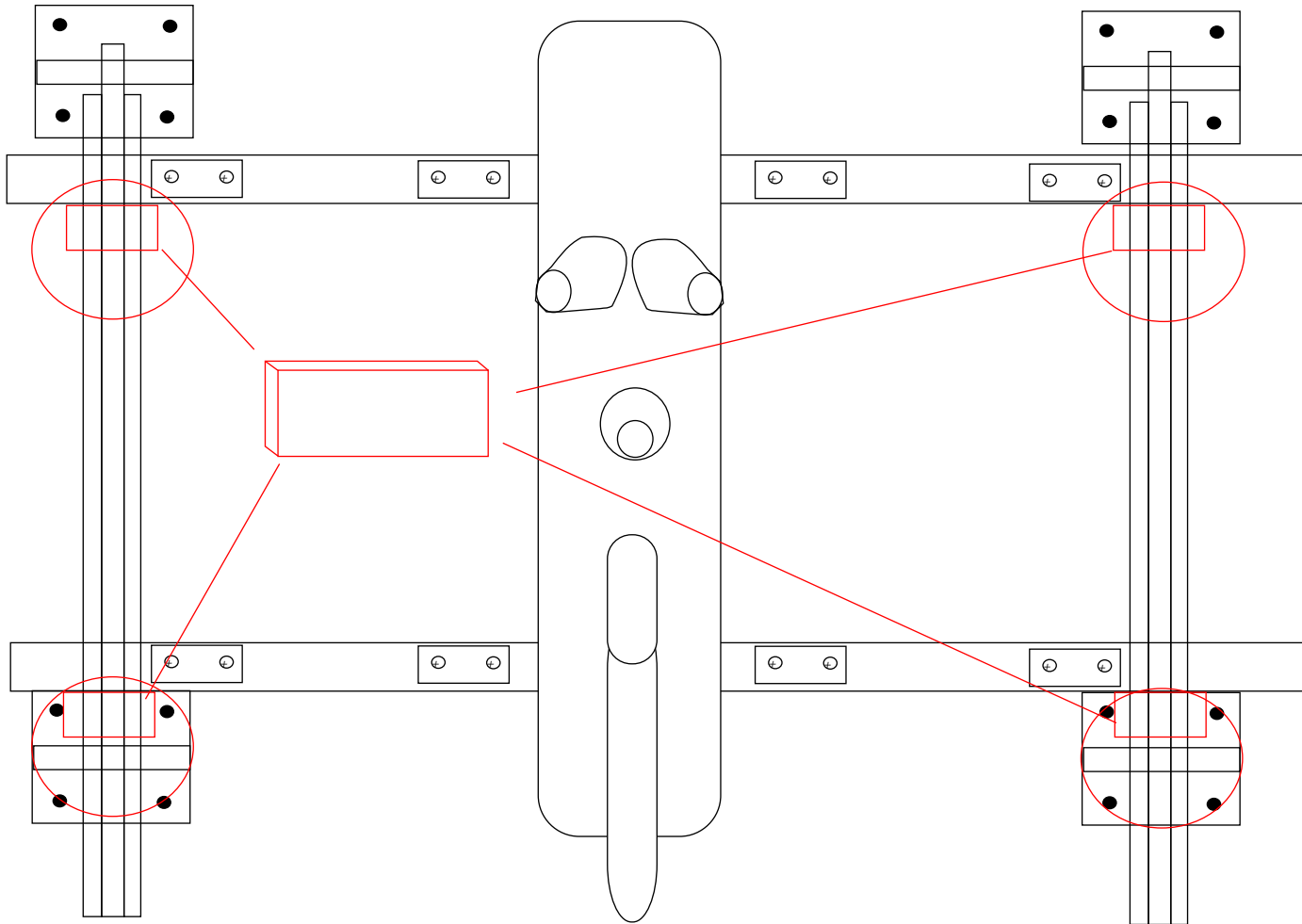
© Evan Pantazi 2008



8- 1"x3"x5" stabilizers & 16 bolts needed

Mook Yon Joong Blueprints Support System Front View

© Evan Pantazi 2008



8- 1"x2"x3" Spacers Needed

Mook Yon Joong
Blueprints
Support System Front View

© Evan Pantazi 2008

